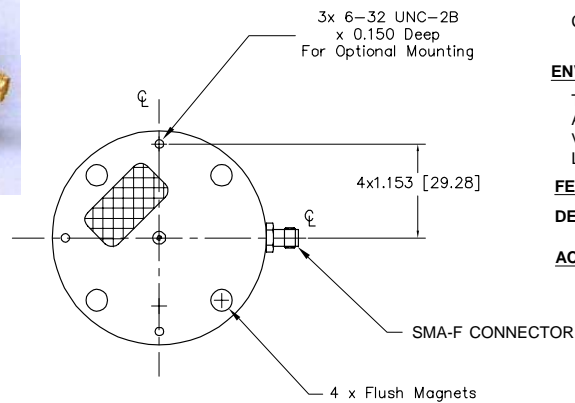
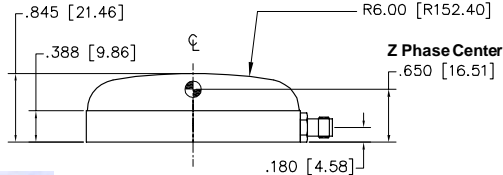
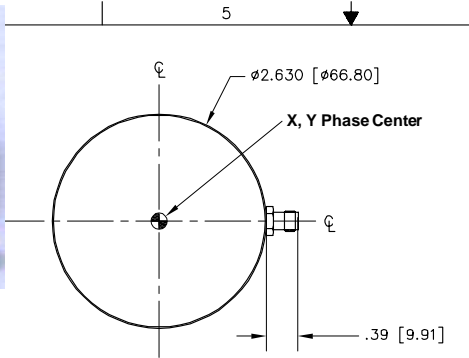




# L1/L2 GPS / L-Band Antenna, P/N: 2GO1215A4-MNX-X :

## 2.6" Diameter, Flush Magnetic Mount Configuration

ANTCOM CORPORATION . 367 Van Ness Way, Suite 602 . Torrance, CA 90501 . Tel: (310) 782-1076 . Fax: (310) 782-1086 . E-mail: antennas@antcom.com . http://www.antcom.com



P/N: 2GO1215A4-MNS-1

SIZE	FREQ. BAND	LNA	CABLE LENGTH	CONNECTOR	COLOR
1: 2" SQ.	42: ARINC743	GO1216L1/L2GPS/GNSS/L-Band	A: 33 dB Gain	X: NO CABLE	S: SMA: P: PINS
1.9: 1.9" SQ.	5: 5" CIRCULAR	GO1215L1/L2GPS/L-Band	A4: 40 dB Gain	M: MAG, N: NO MAG	M: MCX; MM: MMCX
2: 2.6" DIA.		GO16:L1GPS/GNSS/L-Band	A2: 20 dB Gain	MIN: FLUSHMAG	N: NB; N: N-Bulkhead
3: 3.5" DIA.		G1215:L1/L2	I: WITH LNA	I: T: TNC, TNC-Bulkhead	-1: GLOSSWHITE#17925PERFED-STD-595B
4: MINIRINC		GO116L1/L2/L3/L5/L6GPS/GNSS/Galileo	R: RIGHT ANGLECON.		-2: LUSTERLESSGRAY#36320PER FED-STD-595B

### SPECIFICATIONS

#### ELECTRICAL:

ZONE	REV	REVISIONS		
		DESCRIPTION	DATE	APPROVED
FREQUENCY:		L1: (1575.42 ±13) MHz	O: (1542.5 ±17.5) MHz	L2: (1227.60 ±13) MHz
RADIATION PATTERN:		HEMISPHERICAL		
POLARIZATION:		RHCP		
VSWR:		< 1.5:1		
IMPEDANCE:		50 ohms		
ANTENNAGAIN (dBic):		3.5" Dia. G.P	4 ft G.P.	3.5" Dia. G.P
@ 90 ° (ZENITH):		+4.1	+2.5	+5.7
@ 10 °Elevation:		-3.5	-3.0	-1.8
@ 20 °Elevation:		-2.1	-0.2	-0.4
@ 30 °Elevation:		-0.8	+0.8	+0.9
@ 60 - 90 °Elevation:		> 2.5	> 1.8	> 4.1
BEAMWIDTH(3dB):		87 Deg.	139 Deg.	89 Deg.
AXIALRATIO		2 dB	2 dB	2 dB
LIGHTNINGPROTECTION:		DC GROUNDING		
LNA GAIN:		20 dB (...A2-...), 40 dB (...A4-...)		
LNA NOISE FIGURE:		1.9 dB		
LNA P1dB Out:		+13 dBm		
LNA DC POWER:		(2.5-24) V / < 35 mA		
POWERHANDLING		1 Watt CW		

#### MECHANICAL:

SIZE: DIAMETER: 2.67 in. [ 67.82 mm]  
 HEIGHT: 0.845 in. [21.46 mm]  
 WEIGHT: 4.00 oz. [113 g]  
 FINISH: SKYDROL RESISTANT POLYURETHANE ENAMEL  
 BASE IRIDITE PER MIL-C-5441  
 MATERIAL: 6061-T6 ALUMINUM ALLOY BASE  
 COMPOSITE RADOME, IMPACT, ABRASION, UV, SOLVENT,  
 SKYDROL RESISTANCE, AND FIRE RETARDANT  
 CONNECTOR: SMA FEMALE  
 (OPTION: TNC, TNC-Bulkhead, N, N-Bulkhead,  
 MCX, MMCX, or Cable)

#### ENVIRONMENTAL:

TEMPERATURE: -67 °F TO +185 °F [-55 °C TO +85 °C]  
 ALTITUDE: 70,000 ft.  
 VIBRATION: > 30 G's  
 LEAKAGE: HERMETICALLY SEAL

#### FEDERAL & MILITARY SPECIFICATIONS:

DESIGN TO: FAA TSO-C144, DO-160D, D0-228, MIL-C-5541,  
 MIL-E-5400, MIL-I-45208A, MIL-STD-810, AND SAE J1455

ACCEPTANCE TEST PROCEDURE: ATP-GPS-L1L2-100

QUANTITY REQD	DESCRIPTION	PART NO	SPECIFICATION	MATERIAL	FINISH	REF ID
						5
1	ADHESIVE GASKET	12345G-3M-1G				3
1						2
1						1

UNLESS OTHERWISE SPECIFIED DIMENSIONS ARE IN INCHES FRACTIONS DECIMALS ANGLES ± 1/64 .001 .010 .001 ± 1°	DRAWN	CHECKED
TOLERANCE 5/16 PER ANSI Y14.5		
BREAK EXTERNAL EDGES .005 TO .015		
FILED & DIMS TO 1/16		
SCREW THREADS PER UNF-2-595B		
DIMS ON A CONICAL & 2/3 DIA		
MACHINED SURFACES 1/2		
DO NOT SCALE DRAWING		

ANTCOM CORP. TORRANCE, CALIFORNIA

2.6" Dia. Magnetic Mount  
 Active L1/L2 GPS/OmniStar  
 ANTENNA

DRAWN: S. HUYTH  
 DATE: 01-05-29  
 SCALE: 1/1  
 SHEET 1 OF 1