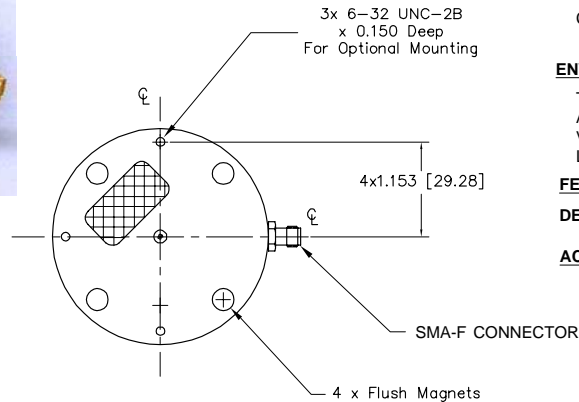
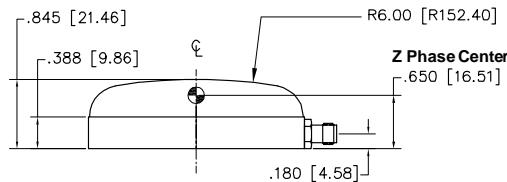
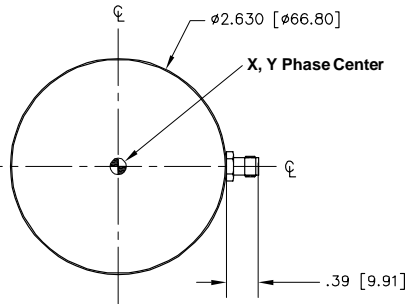




L1 GPS/Glonass/L-Band/Galileo Antenna, P/N: 2GO16A4-MNX-X :

2.6" Diameter, Flush Magnetic Mount Configuration

ANTCOM CORPORATION . 367 Van Ness Way, Suite 602 . Torrance, CA 90501 . Tel: (310) 782-1076 . Fax: (310) 782-1086 . E-mail: antennas@antcom.com . http://www.antcom.com



P/N: 2GO16A4-MNS-1

SIZE:	FREQ. BAND:	LNA:	CABLE LENGTH:	CONNECTOR:	COLOR:
1: 2" SQ.	42: ARINC 743	GO1216:L1/L2GPS/GNSS/L-Band	A: 33 dB Gain	X: NO CABLE	S: SMA; P: PINS
1.9: 1.9" SQ.	5: 5" CIRCULAR	GO1215:L1/L2GPS/L-Band	A4: 40 dB Gain	M: MAG; N: NOMAG	-1: GLOSSWHITE#17925PER FED-STD-595B
2: 2.6" DIA.		GO16:L1GPS/GNSS/L-Band	A2: 20 dB Gain	MN: FLUSHMAG	-2: LUSTERLESSGRAY#36320PER FED-STD-595B
3: 3.5" DIA.		G1215:L1/L2	F: WITHOUTLNA	N: NB; N: N-Bulkhead	-3: OLIVEDRABGREEN#34031PER FED-STD-595B
4: MINARINC		GO1116:L1/L2/L3/L5/L6GPS/GNSS/Galileo	R: WITHINLNA	T: TB; TNC; TNC-Bulkhead	-4: LUSTERLESSBLACK#37038PER FED-STD-595B
				R: RIGHT ANGLECON.	

SPECIFICATIONS

ELECTRICAL:

FREQUENCY (MHz):	Rx L-Band/ L6 Galileo	L1 GPS L1/E1/E2 Galileo	L1 Glonass
(1525 - 1560)	(1525 - 1560)	(1555 - 1595)	(1602 - 1626)
ANTENNA GAIN (dBic):	FS/3.5in CP	FS/3.5in CP 4 ft G.P.	FS/3.5in CP
@ 90 °(ZENTH):	> +2.5	+5.5 +4.5	> +3.3
@ 10 °Elevation:	> -4.7	-1.2 -1.4	> -3.2
@ 20 °Elevation:	> -3.0	+0.3 +1.4	> -1.6
@ 30 °Elevation:	> -2.3	+1.8 +2.2	> -0.2
@ 60 - 90 °Elevation:	> +2.0	> 4.8 > 3.8	> +2.5
BEAMWIDTH (3dB):	106 Deg.	106 Deg.	130 Deg.
RADIATION PATTERN:	HEMISPHERICAL		
POLARIZATION:	RHCP		
VSWR:	< 1.5:1		
IMPEDANCE:	50 ohms		
AXIAL RATIO:	3 dB		
LIGHTNING PROTECTION:	DC GROUNDING		

LNA OPTION

LNA GAIN:	40 dB (-A4), 20 dB (-A2), 35 dB (-A-)
LNA NOISE FIGURE:	3.0 dB
LNA P1dB Out:	+13 dBm
LNA DC POWER:	(2.5-24)Volts @ < 39 mA
POWERHANDLING:	200 Watts CW (WITHOUT LNA), 1 Watt CW (WITH LNA)

MECHANICAL:

SIZE: DIAMETER: 2.67 in. [67.82 mm]
HEIGHT: 0.845 in. [21.46 mm]

WEIGHT: 4.00 oz. [113 g]

FINISH: SKYDROL RESISTANT POLYURETHANE ENAMEL
BASE IRIDITE PER MIL-C-5441

MATERIAL: 6061-T6 ALUMINUM ALLOY BASE
COMPOSITE RADOME, IMPACT, ABRASION, UV, SOLVENT,
SKYDROL RESISTANCE, AND FIRE RETARDANT

CONNECTOR: SMA FEMALE
(OPTION: TNC, TNC-Bulkhead, N, N-Bulkhead,
MCX, MMCX, or Cable)

ENVIRONMENTAL:

TEMPERATURE: -67 °F TO +185 °F [-55 °C TO +85 °C]

ALTITUDE: 70,000 ft.

VIBRATION: > 30 G's

LEAKAGE: HERMETICALLY SEAL

FEDERAL & MILITARY SPECIFICATIONS:

DESIGN TO: FAA TSO-C144, DO-160D, D0-228, MIL-C-5541,
MIL-E-5400, MIL-I-45208A, MIL-STD-810, AND SAE J1455

ACCEPTANCE TEST PROCEDURE:

QUANTITY REQD	DESCRIPTION	PART NO	SPECIFICATION	MATERIAL	FINISH	ITEM NO
						5
1	ADHESIVE GASKET	12345G-3M-1G				3
1						2
1						1

UNLESS OTHERWISE SPECIFIED DIMENSIONS ARE IN INCHES FRACTIONS DECIMALS ANGLES ± 1/64 .005 ± 1'	<p>ANTCOM CORP. TORRANCE CALIFORNIA</p> <p>2.6" Dia. Magnetic Mount Active L1 GPS/OmniStar & Glonass ANTENNA</p> <p>DRW: D3CVE1 S. HUYTH 01-05-29</p> <p>SCALE 1/1</p>
---	---