



When precision matters..®

## A Tallysman Accutenna®

### TW3972E High Gain Embedded Triple Band GNSS Antenna + L-band Correction Services

The TW3972E is an Accutenna® technology antenna providing triple band GPS L1/L2/L5, GLONASS G1/G2/G3, BeiDou B1/B2, Galileo E1/E5a+b plus L-band correction services coverage and is especially designed for precision triple frequency positioning. The TW3972E provides superior multi-path signal rejection, a linear phase response, and tight Phase Centre Variation (PCV). This antenna is ideal for precision agriculture, autonomous vehicle tracking and guidance, and other applications where precision matters.

The TW3972E features a precision tuned, twin circular dual feed, stacked patch element. The signals from the two orthogonal feeds are combined in a hybrid combiner, amplified in a wide-band LNA, then band-split for narrow filtering in each band and further amplified prior to recombination at the output.

The TW3972E offers excellent axial ratio and a tightly grouped phase center variation. The antenna also has a strong pre-filter to mitigate inter-modulated signal interference from LTE and other cellular bands.

The TW3972E covers from 1164MHz to 1254MHz and 1525MHz to 1606MHz.

The OEM TW3972E is supplied with a standard 60mm diameter circular ground plane, with a coaxial cable terminated with a connector (right angle MCX is shown in the drawing). Mounting holes are provided for attachment to larger ground planes. Custom tuning and ground plane options may be available, depending on purchase level commitment.

This product is also available in a housed format: TW3972

#### Applications

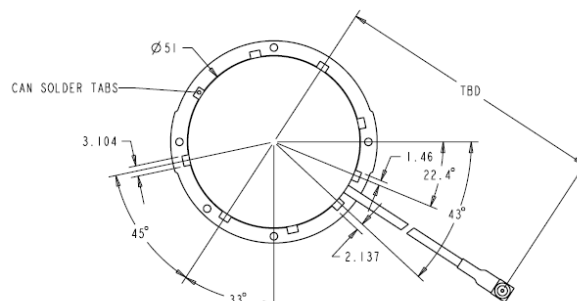
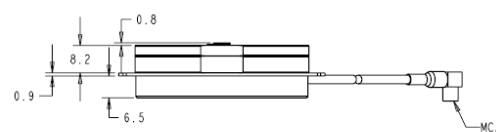
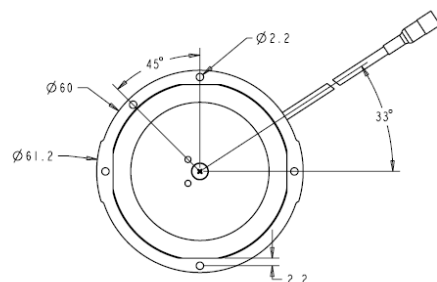
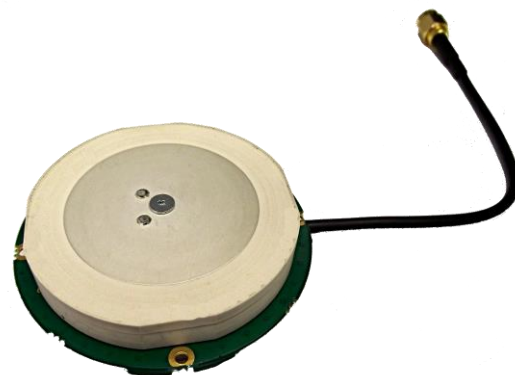
- Precision GPS position
- Triple Frequency RTK receivers
- Military & Security

#### Features

- Very low Noise Preamp, < 2.5dB
- Axial ratio: <2dB typ.
- Tight Phase Center Variation
- LNA Gain 37 dB typ.
- Low current: 24 mA typ.
- ESD circuit protection: 15 KV
- Invariant performance from: +2.5 to 16VDC

#### Benefits

- Ideal for triple band RTK surveying systems
- Great multipath rejection
- Increased system accuracy
- Great signal to noise ratio
- REACH and RoHS compliant





When precision matters<sup>®</sup>

## TW3972E High Gain Embedded Triple Band GNSS Antenna + L-band Correction Services

### Specifications (Measured a Vcc = 3V, and Temperature=25°C)

#### Antenna

Patch Architecture	Circular, Dual Feed, Dual Stacked Patch		
E5a/L5 Gain (100mm ground plane)	-1.5dBic typ. at Zenith		
B2/E5b/G3 Gain (100mm ground plane)	2.5 dBic typ. at Zenith		
L2 Gain (100mm ground plane)	4.0 dBic typ. at Zenith		
G2 Gain (100mm ground plane)	2.5 dBic typ. at Zenith		
E1 Gain (100mm ground plane)	4.0 dBic typ. at Zenith		
L1 Gain (100mm ground plane)	4.0 dBic typ. at Zenith		
G1 Gain (100mm ground plane)	2.5 dBic typ. at Zenith		
Axial Ratio @ zenith			
L5/E5ab	<1.5dB	B2	<1.5dB
L2	<1dB	G2	<1.5dB
L-Band	<1dB		
L1/E1	<1dB	G1	<1.5dB

#### Electrical

Filter Bandwidth	L2/L5: 1164MHz-1254MHz		L-Band/ L1: 1525 MHz-1606MHz	
Overall LNA Gain	37dB typ, 35 dB min,			
Gain Variation with Temperature.	3dB max over operational temperature range			
LNA Noise Figure	2.5dB typ at 25°C			
VSWR (at LNA output)	<1.5:1 typ. 1.8:1 max.			
Supply Voltage Range	+2.5 to 16VDC nominal, up to 50mV p-p ripple			
EMI Immunity	50V/Meter, excepting L1+/-100MHz and L2 +/- 100MHz			
Supply Current	24 mA typ. at 25°C			
ESD Circuit protection	15 KV air discharge.			
Out-of-Band Rejection	<b>L5/E5/L2/G2</b>		<b>L1/E1/B1/G1</b>	
	<1050 MHz	>45 dB	<1450 MHz	>30dB
	<1125 MHz	>30 dB	>1690 MHz	> 30dB
	>1350 MHz	>45 dB	>1730 MHz	> 40dB

#### Mechanicals & Environmental

Mechanical Size, Ground Plane	60mm diameter, 0.75mm thick, see mechanical drawing
Operating Temperature Range	-40°C to +85°C
Weight	75 g
Attachment Method	Plated screw holes
Environmental	RoHS and REACH compliant
Shock	Vertical axis: 50 G, other axes: 30 G
Vibration	3 axis, sweep = 15 min, 10 to 200 Hz sweep: 3 G

#### Ordering Information

TW3972E – Embedded Triple Band GNSS antenna with L-Band Correction

33-3972E-xx-yyyy

Where xx = connector type, yyyy = cable length in mm

Please refer to the Ordering Guide (<http://www.tallysman.com/index.php/gnss/ordering-guide/>) for the current and complete list of available connectors.

#### Tallysman Wireless Inc

36 Steacie Drive Ottawa ON K2K 2A9 Canada

Tel +1 613 591 3131 Fax 613 591 3121

[sales@tallysman.com](mailto:sales@tallysman.com)

The information provided herein is intended as a guide only and is subject to change without notice. This document is not to be regarded as a guarantee of performance. Tallysman Wireless Inc. hereby disclaims any or all warranties and liabilities of any kind. © 2016 Tallysman Wireless Inc. All rights reserved.

Rev 1.6